

AURA DOME™ FOR RESTAURANTS

©2021 VikingDome

WORLDWIDE DELIVERY

Extraordinary frameless dome



Aura Dome™ is a VikingDome developed technology for the construction of frameless dome-shaped buildings. Due to unique materials and engineering used, you can easily build domes out of light and transparent, yet robust panels, without adding any reinforcing frames.



Why is Aura Dome™ unique?



Fully transparent

Clear polycarbonate structure creates a 360° view experience.



Robust

Aura Dome™ remains stable, robust, and resistant to most environmental conditions. Polycarbonate withstands high loads of wind, water and snow.



Frameless

Strong Aura Dome™ system shell allows to make domes without any reinforcing frame.



Adjustable transparency

Dome can have blackout panels with mixed colours and transparency, based on custom design.



UV resistant

Polycarbonate is UV resistant, which adds longevity and protection to the dome.



Sound isolated

Polycarbonate is a soft material that reflects sound waves – isolating noise from inside and outside.



Natural micro ventilation

Tiny few mm air gaps between plates make Aura Dome™ breathable infinitely.



Corrosion resistant

All materials used to connect the polycarbonate plates are stainless-steel.



Anti-vandal

Aura Dome™ includes a stainless-steel door frame with safety glass door, hinges and a lock. Polycarbonate shell is strong and robust.



Multi-surface

Aura Dome™ can be built on multiple surfaces like terrace, rooftop, grassland, concrete and other.



Flammability class B

Self-extinguishing material.



Easy-to-assemble

Aura Dome™ kit comes with individual polycarbonate panels, separate doors and everything else you need to build a full frameless dome. Detailed drawing is provided, and no special tools are required. 95% of our clients assemble domes themselves and have a great time.



Customizable

Aura Domes™ can be customized by request. Any panel can be changed at any time. Panels can be laser engraved, of different colour or material.



Light

Aura Dome™ weight starts from 100kg, with the door included. Easier to assemble and transport.



Warranty

2-year standard warranty with possible extension to 5 years for an additional fee.



**VIKING
DOME**



Interact with the environment

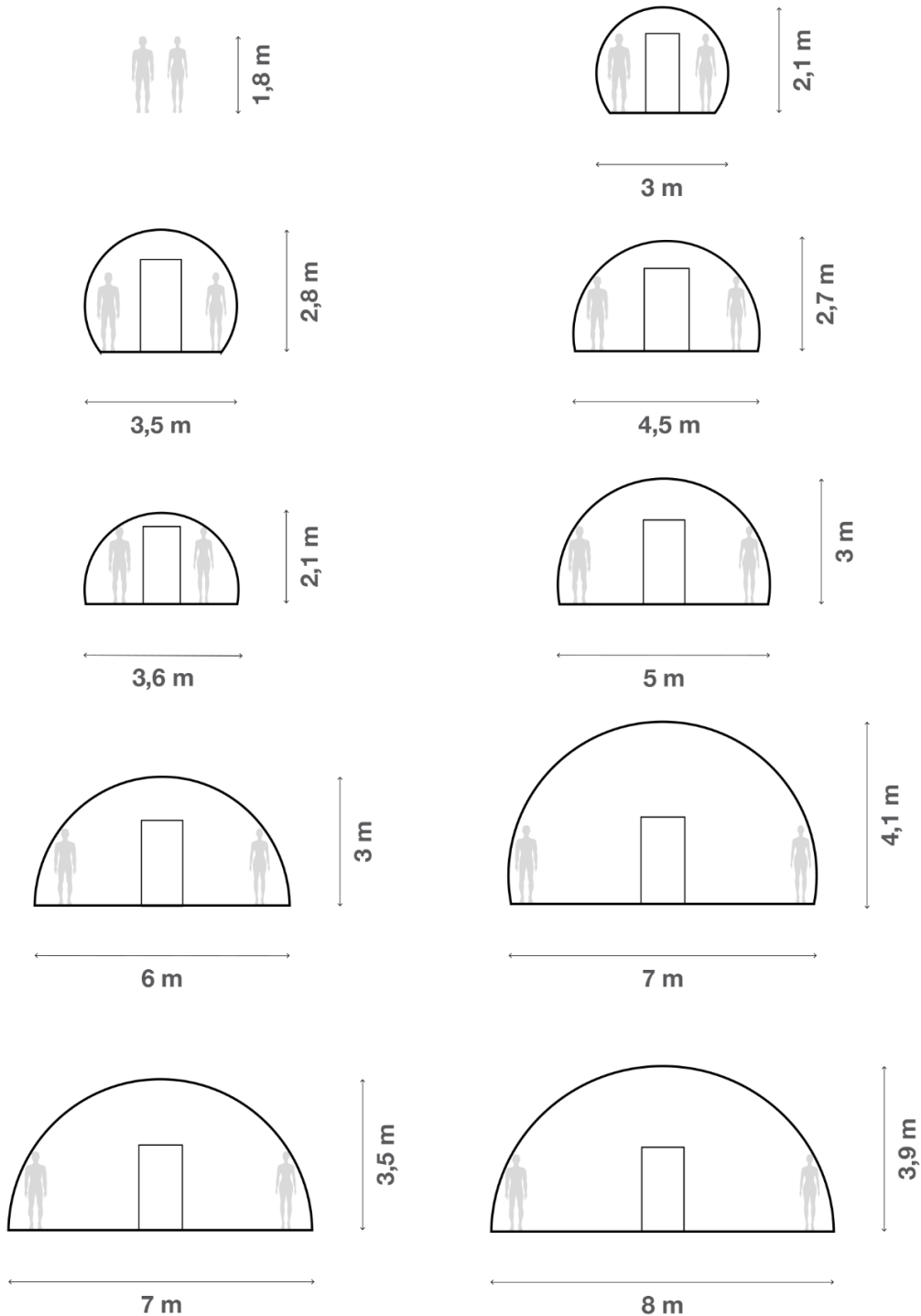
Unique transparent design allows you to interact with the environment, while being sheltered and protected. Create an unforgettable and cozy experience for your clients.



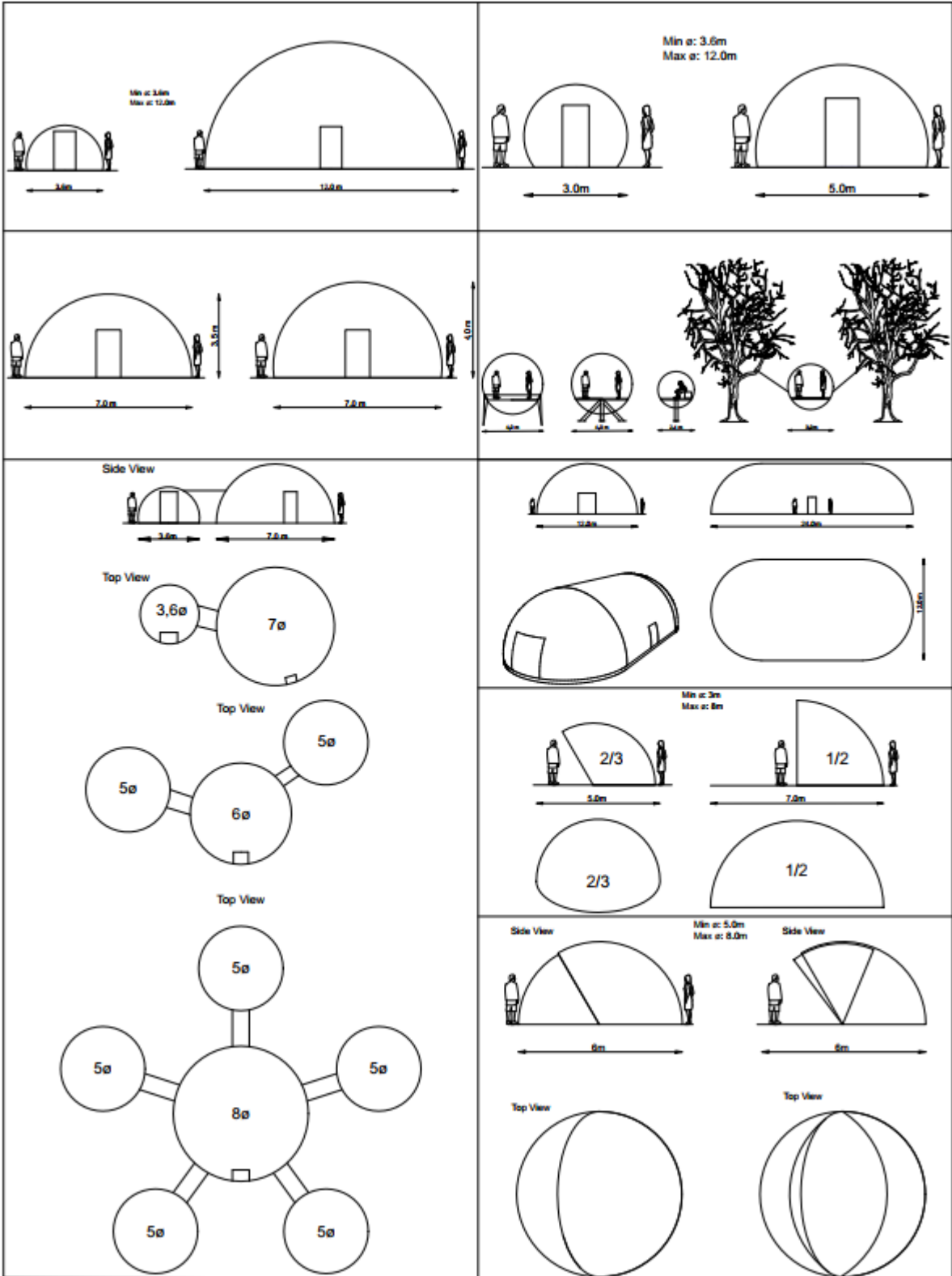
Shapes and sizes



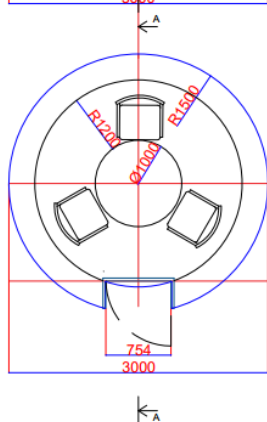
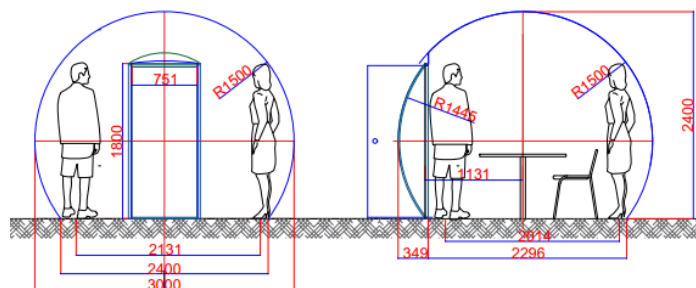
Aura Dome™ comes in many shapes and sizes from 3 to 12 meters in diameter. It can be modified to any other dimensions.



Shapes and sizes



Architectures & plans D3 & D3,5



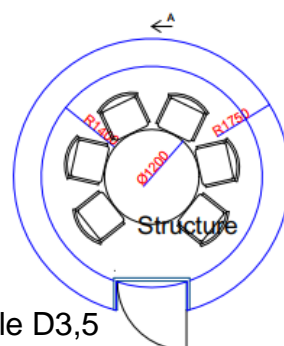
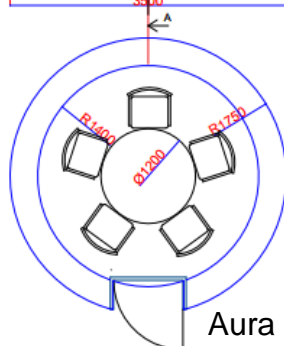
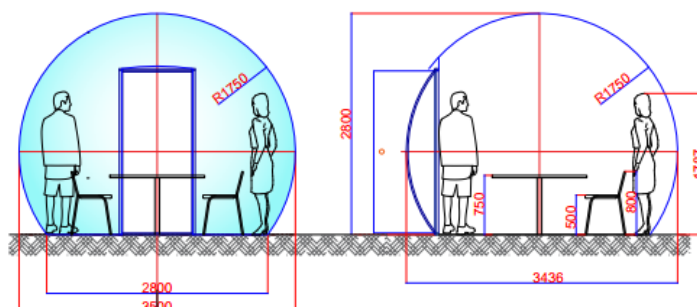
Aura Bubble D3

Sphere surface- 22 m²

Floor area- 4,5 m²

Internal volume- 12 m³

Weight- 100 kg



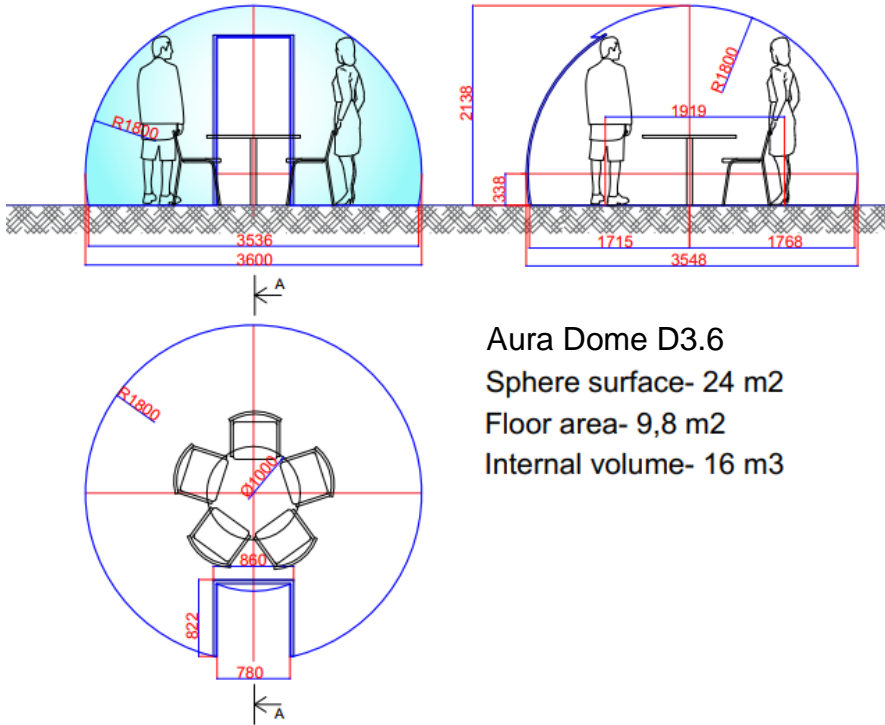
Aura Bubble D3,5

Sphere surface- 30,8 m²

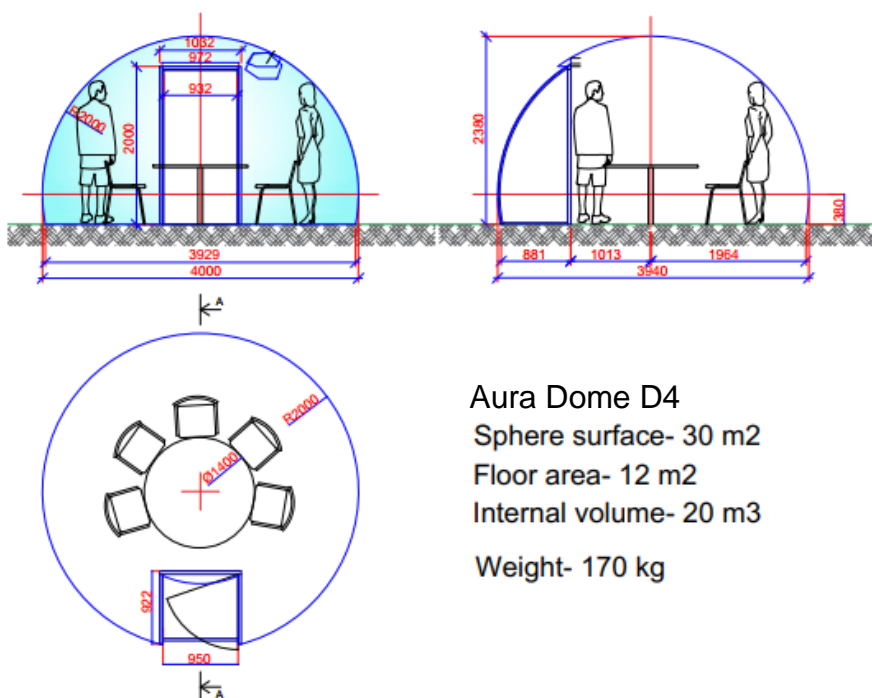
Floor area- 5,8 m²

Internal volume- 20 m³

Architectures & plans D3,6 & D4

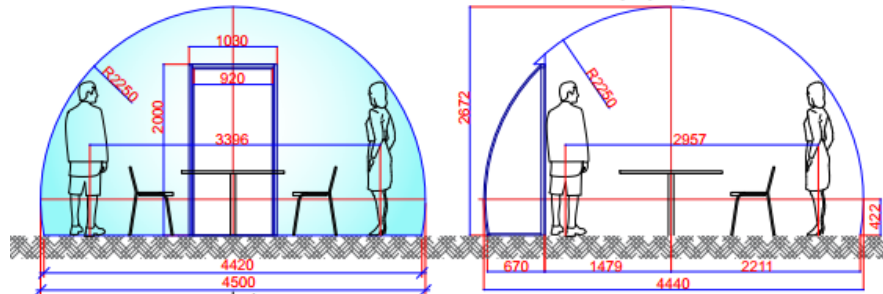


Aura Dome D3.6
 Sphere surface- 24 m²
 Floor area- 9,8 m²
 Internal volume- 16 m³

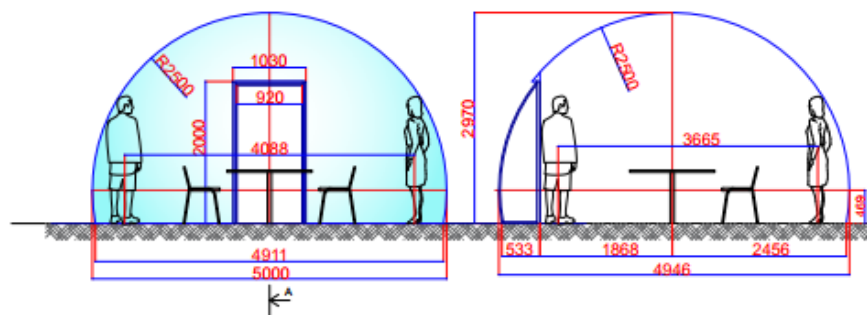
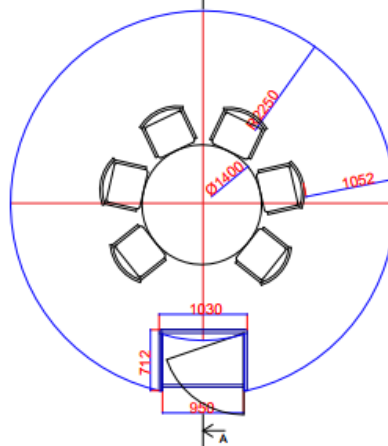


Aura Dome D4
 Sphere surface- 30 m²
 Floor area- 12 m²
 Internal volume- 20 m³
 Weight- 170 kg

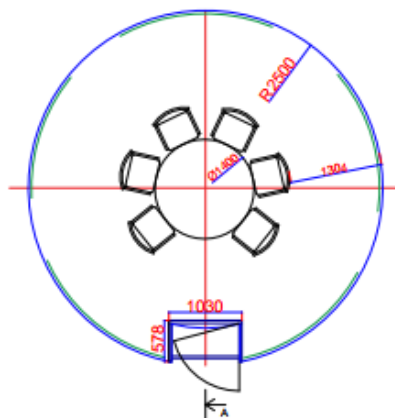
Architectures & plans D4,5 & D5



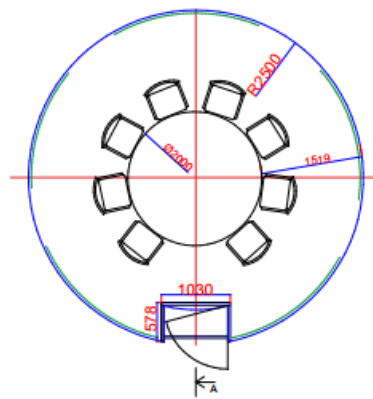
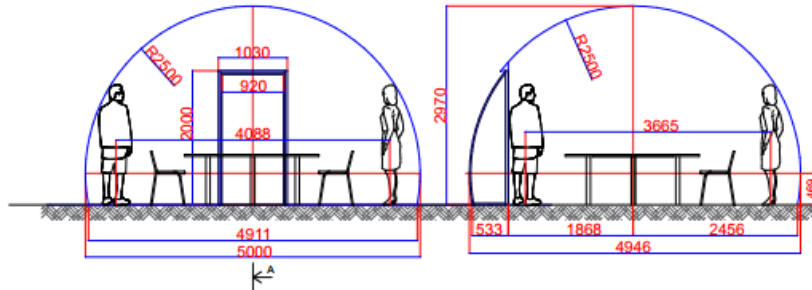
Aura Dome D4.5
 Sphere surface- 38 m²
 Floor area- 15 m²
 Internal volume- 30 m³
 Weight- 265 kg



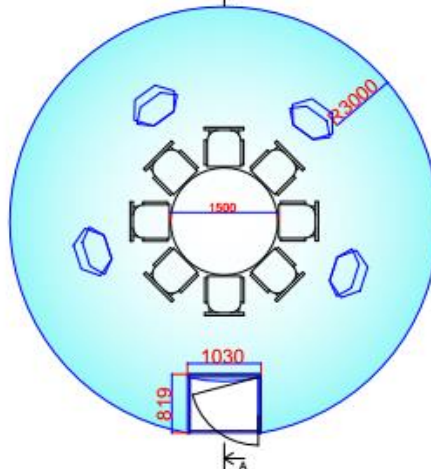
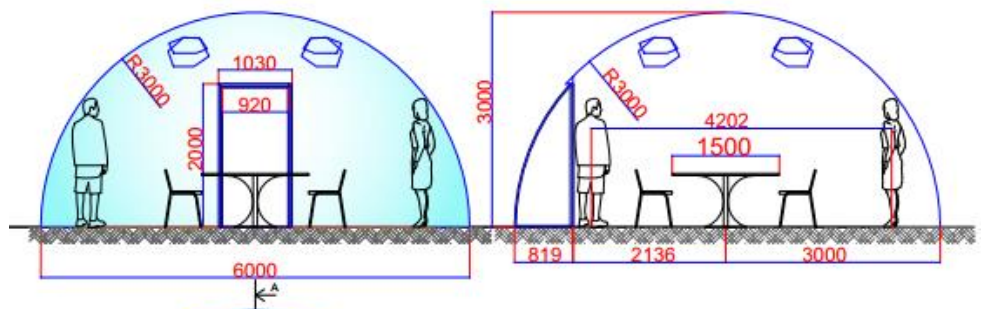
Aura Dome D5
 Sphere surface- 47 m²
 Floor area- 19 m²
 Internal volume- 42 m³
 Weight- 275 kg



Architectures & plans D5 & D6

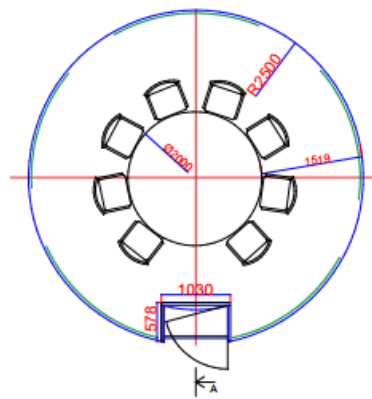
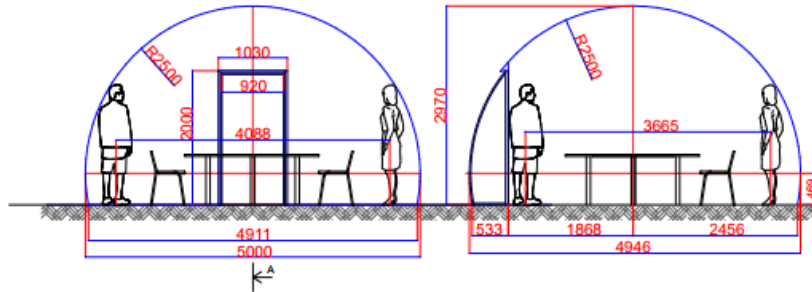


Aura Dome D5
 Sphere surface- 47 m²
 Floor area- 19 m²
 Internal volume- 42 m³
 Weight- 275 kg

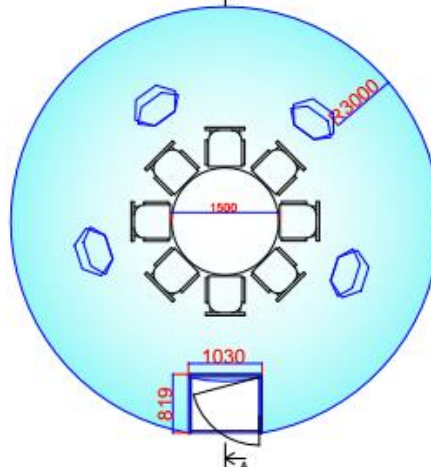
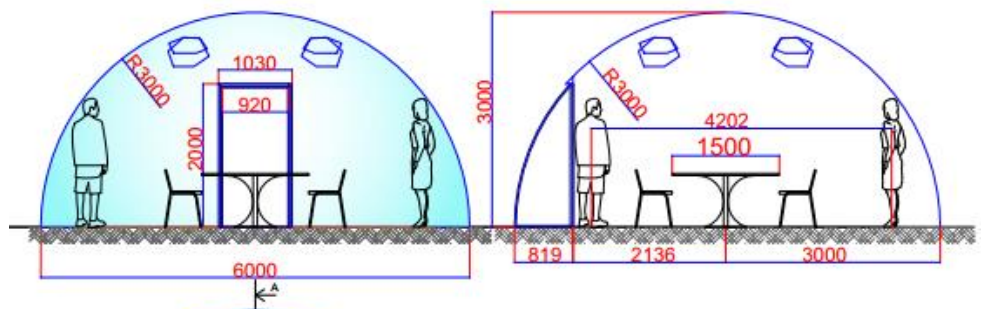


Aura Dome D6
 Sphere surface- 56 m²
 Floor area- 28 m²
 Internal volume- 56 m³
 Weight- 342 kg

Architectures & plans D5 & D6



Aura Dome D5
 Sphere surface- 47 m²
 Floor area- 19 m²
 Internal volume- 42 m³
 Weight- 275 kg



Aura Dome D6
 Sphere surface- 56 m²
 Floor area- 28 m²
 Internal volume- 56 m³
 Weight- 342 kg

Aura Dome™ for business

Aura Dome™ can be adapted in multiple ways to add value for your business, based on your industry and needs. For example, Aura Dome™ can be used for:



**Outdoor restaurants,
bars or cafes**



**Event and trading
pavilions**



Glamping sites



**Exposition halls
and showrooms**



Skylight for building



**Silent rooms for open
office space**



Floating shelters



Smoking rooms



Temporary shops



Stage for events



Rooftop shelters



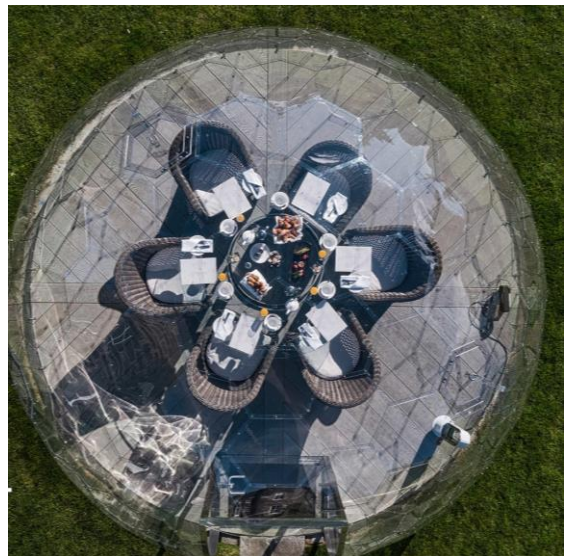


[Champagne pavilion in Paris, France](#)





[Luxury Dining in Meldrum House Country Hotel, Scotland](#) 





[Rooftop AURA Dome "Paris La Défense" in France](#)





[Restaurant Dome in Paris, France](#)





[Four Seasons Hotel Dome in Kyoto, Japan](#)





[Dinner With a View in Toronto, Canada](#) 





[Dinner With a View in Toronto, Canada](#) 





[Restaurant Bubble Pod in Rovaniemi, Finland](#) 






[Grassland Dining Pod in Canada](#) 





[Restaurant Aura Bubble](#) 






[Restaurant Aura Retractable](#) 





[SMART Aura Bubble](#) 





[All Restaurant Domes](#) 



Aura Dome™ Modular TERRACE

Aura Dome™ Modular Terrace is assembled in multiple pieces for easy transportation and adds an aesthetic and luxurious design to your dome.



Aura Dome™ Modular TERRACE

Aura Dome™ Modular Terrace is assembled in multiple pieces for easy transportation and adds an aesthetic and luxurious design to your dome.



Aura Dome™ Worldwide Delivery

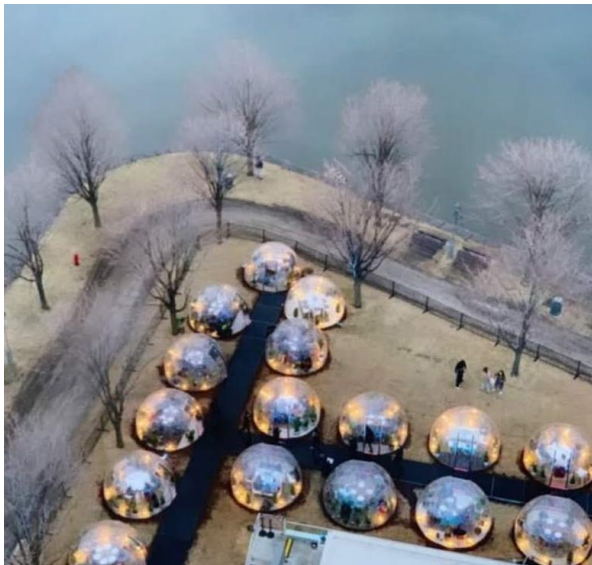
Aura Dome™ It has a safe, recyclable packaging. We ship by land and air.



Aura Dome™ in ACTION



Aura Dome™ in ACTION



Aura Dome™ in ACTION



Aura Dome™ in ACTION



Aura Dome™ in ACTION



Aura Dome™ in ACTION



Aura Dome™ for personal use

Aura Dome™ is a versatile product and can serve multiple purposes to enhance your life. For example, Aura Dome™ can be used for:



Climbing plant frames



Patios, gazebos,
pergolas



Pool covers



Hot tub shelter



Backyard offices



Summer house cabin



Rooftop shelters



Garden rooms



Luxury greenhouses



Dining domes





**VIKING
DOME**

VikingDome – engineering and construction company behind development and manufacturing of the Aura Dome™ technology.



Worldwide delivery

Contact us:

www.vikingdome.com

sales@vikingdome.com